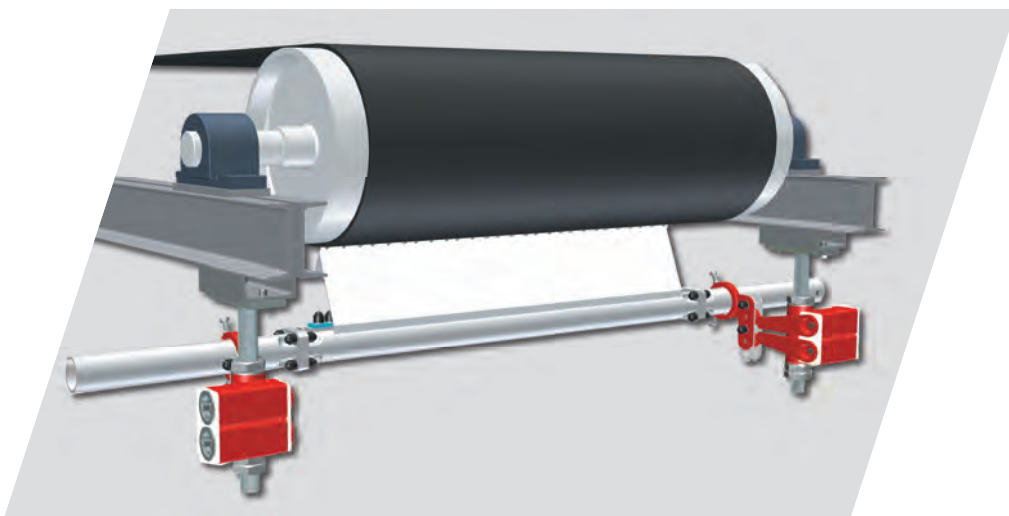
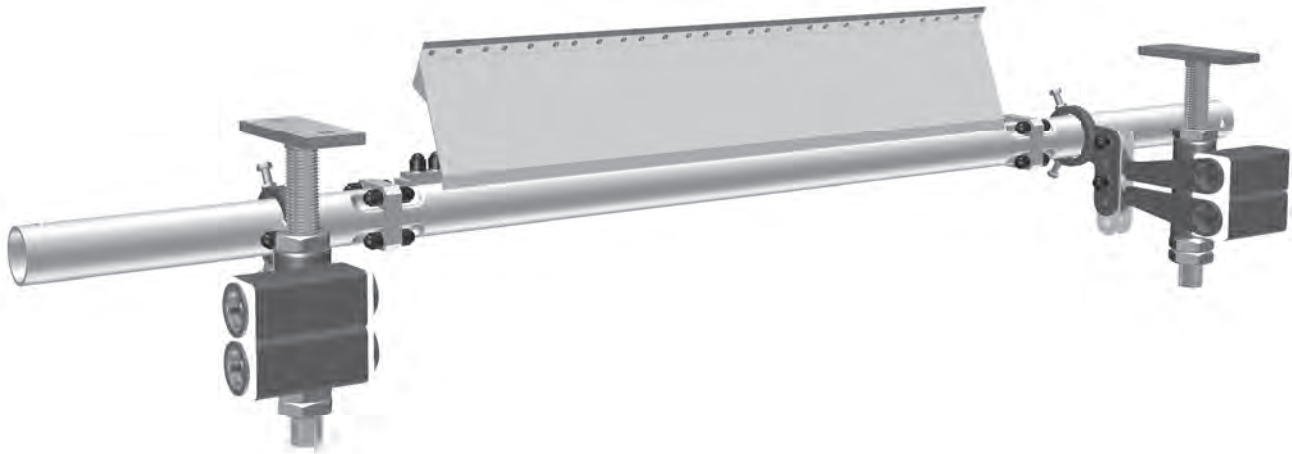


**HOSCH  
SPRUNG  
BLADE  
SCRAPERS**



TYPE **B6-C**



## The special features of the Type B6-C/B6L-C

- Effective cleaning efficiency
- Low operating costs
- Optimum belt protection
- Continuous adjustment, self-adjusting
- Minimum installation and maintenance work
- Extremely long operating life, highly abrasion-resistant blades for all type of materials and all belt speeds
- Assembly carrier lengths and cross sections for all belt widths
- High longevity through high-quality plastic coating or galvanization
- Low space requirement thanks to its compact design
- Also suitable for reversible operation mostly without extra modifications, disengaging devices available for special applications
- The modular scraper components can be selected to suit any conveyor frame structure

## Standard program - B6C

Belt width	Cleaning width	Blades	Assembly carrier length	Assembly carrier Ø	Parallel elasto-mount	Spindle
mm	mm	Qty.	mm	mm	Type	mm
650/700	602	5	1784	Ø 60	B	M42 x 400
750/800	722	6	1904			
900	843	7	2024			
1000/1050	964	8	2144			
1200	1084	9	2264	Ø 76	C	M60 x 450
1300	1205	10	2384			
1350/1400	1326	11	2504			
1500	1446	12	3030	Ø 101	D	M60 x 450
1600	1560	13	3150			
1800	1687	14	3270			
2000	1928	16	3510			
2200	2168	18	3750	Ø 121	E	M60 x 450
2400	2289	19	3870			
2800	2771	23	4350		F	
3200	3132	26	4710			

## Light program - B6L-C

Belt width	Cleaning width	Blades	Assembly carrier length	Assembly carrier Ø	Parallel elasto-mount	Spindle
mm	mm	Qty.	mm	mm	Type	mm
400/450	361	3	1540	Ø 48	A	M30 x 350
500/600	482	4				
650/700	602	5	1780			
750/800	722	6				

### HOSCH Fördertechnik GmbH

Am Stadion 36  
 45659 Recklinghausen (Germany)  
 Tel. : +49 (0) 2361 / 58 98 - 0  
 Fax : +49 (0) 2361 / 58 98 40  
 eMail : mail@hosch.de

Sales Office