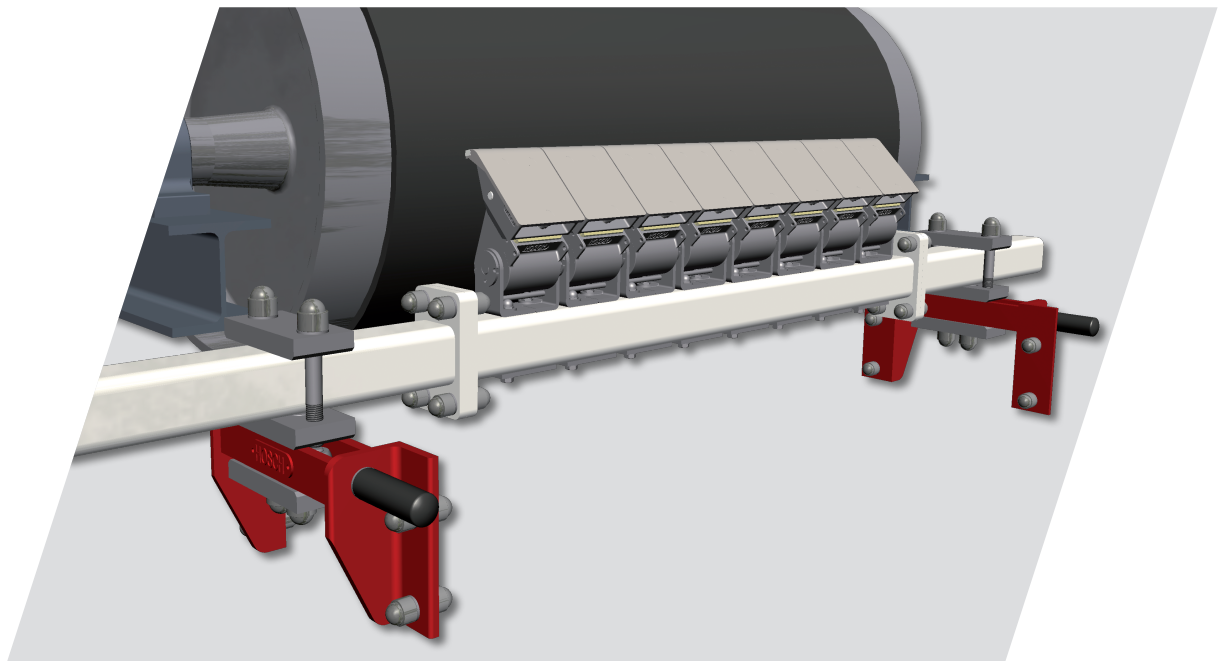


# **HOSCH HEAD- PULLEY SCRAPERS**



TYPE **HDO1<sup>®</sup>S**

# HOSCH Head-Pulley Scraper Type HD01® S

A great innovative advance in primary scraper technology to be used on discharge or head pulleys. Conveyor belt systems transporting extremely sticky, muddy or difficult material presents a big challenge to belt cleaning equipment.

For these special operating conditions **HOSCH** have developed the Head-Pulley Scraper **Type HD01® S**:

- Extremely robust scraper system that is installed at the 3 o'clock position on the pulley.
- Suitable even for the most difficult bulk material.
- Unique deflection function of cleaning modules in case of obstruction or damage to the belt surface. As a result the conveyor belt and scraper are protected against further damage.
- Can also be used on belts with mechanical splices
- Tungsten carbide tipped cleaning blades provide efficient cleaning and very long life
- No further adjustment is required until the blades are worn. The system is almost maintenance free.
- Easy installation on any kind of discharge or head pulley.

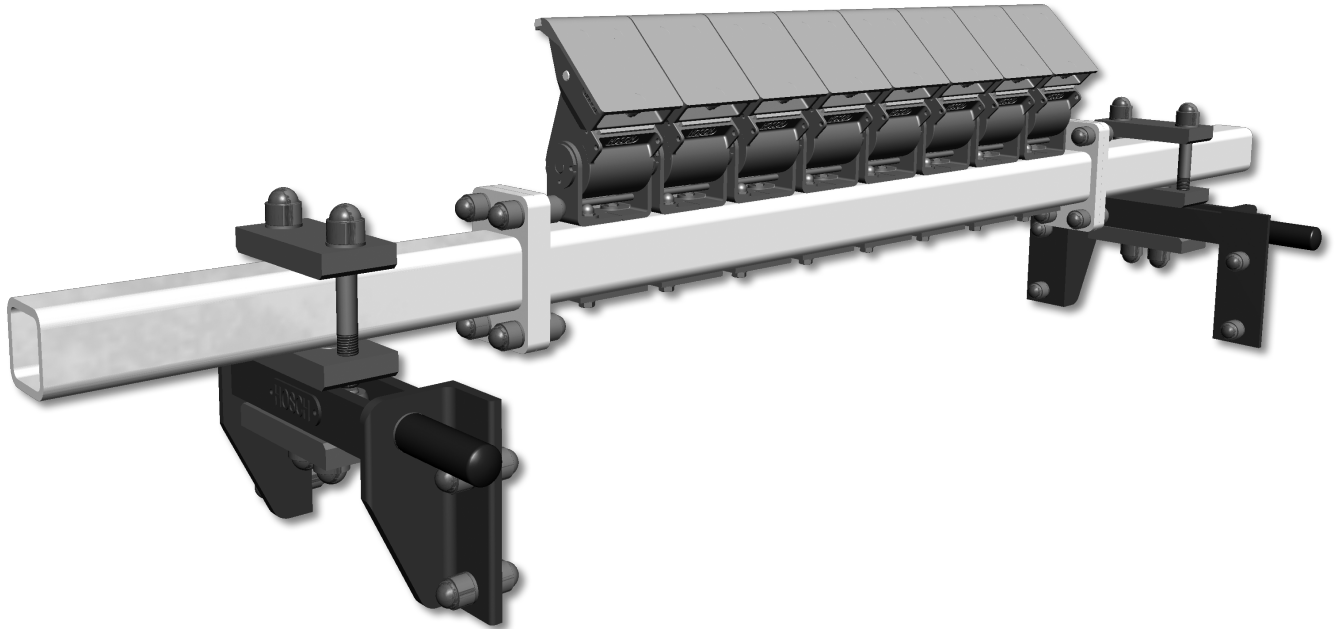
## HOSCH Services

**HOSCH** will take care of you anywhere in the world. Please get in touch with us and we will come back to you – irrespective of where you are.

Our service comprises the following items:

- Technical analysis of your conveyor belt systems.
- Selection of suitable belt cleaning and belt tracking systems.
- OEM support and CAD supported installation drawings.
- Installation, maintenance and service of **HOSCH** systems.
- Additional support for the operation of your conveyor belt such as
  - the compilation of belt plans and maintenance statistics
  - spare parts management.
- The collection of accurate data from service visits will enable cost saving opportunities to be identified and implemented.

## Characteristics of the HOSCH Head-Pulley Scraper Type HD01® S



- Belt widths 1,200 up to 1,600 mm
- Belt speeds Up to 3.5 m/s
- Belt types Regular fabric or steel cord belts with a flat surface (not chevron) and with vulcanized or mechanical splicing (Belt speeds > 2.5 m/s must be approved by **HOSCH**).
- Reverse operation Can operate on reversible belts
- Installation position On the front side of the head or discharge pulley at the 3 o'clock position
- Cleaning modules Sprung loaded multiple cleaning modules, with individual deflection and wear-tracking function. Only the tungsten carbide tipped cleaning elements need replacing once worn
- Design Modular scraper design, individual set-up possible to suit most applications.
- Directions for use For further technical information, please refer to additional documentation. Installation and operation manuals, dimension sheets, optional accessories and parts lists are available. Different applications must be approved by **HOSCH**.

**HOSCH International (Pty) Ltd.**

Perth, Australia  
tel: +61 8 9315 8000  
e-mail: mail@hosch.com.au  
web: www.hosch.com.au

**HOSCH Austria GmbH**

Vienna, Austria  
tel: +43 (1) 22100-222  
e-mail: office@hosch-austria.at  
web: www.hosch-austria.at

**HOSCH do Brasil Ltda.**

Belo Horizonte, Brazil  
tel: +55 31 3284-8068  
e-mail: hosch@hosch.com.br  
web: www.hosch.com.br

**HOSCH Chile S.p.A.**

Santiago, Chile  
tel: +56 2 3263 7520  
e-mail: info@hosch.cl  
web: www.hosch-international.com

**HOSCH France S.A.R.L.**

Calais, France  
tel: +33 1 64 13 63 60  
e-mail: info@hosch.fr  
web: www.hosch.fr

**HOSCH Fördertechnik RE GmbH**

Recklinghausen, Germany  
tel: +49 2361 58980  
e-mail: mail@hosch.de  
web: www.hosch-international.com

**HOSCH (GB) Ltd.**

Thornaby, Great Britain  
tel: +44 1642 751 100  
e-mail: mail@hosch.co.uk  
web: www.hosch.co.uk

**HOSCH Equipment (India) Limited**

Kolkata, India  
tel: +91 33 3370 0400  
e-mail: hosch@cal.vsnl.net.in  
web: www.hosch-international.com

**PT. HOSCH Technology Indonesia**

Balikpapan, Indonesia  
tel: +62 542 88 616 92  
e-mail: indonesia@hosch-asia.com  
web: www.hosch-asia.com

**HOSCH Italia S.R.L.**

Pontecagnano, Italy  
tel: +39 089 849 052  
e-mail: mail@hosch.it  
web: www.hosch.it

**HOSCH Asia PLT**

Puchong, Malaysia  
tel: +60 3 5879 9950  
e-mail: mail@hosch-asia.com  
web: www.hosch-asia.com

**HOSCH Techniki Transportowe Polska Sp. z o.o.**

Wrocław, Poland  
tel: +48 71 321 92 21  
e-mail: hosch@hosch.pl  
web: www.hosch.pl

**HOSCH Fördertechnik (SA) (Pty) Ltd.**

Johannesburg, South Africa  
tel: +27 11 826 6940  
e-mail: sales@hoschsa.co.za  
web: www.hoschsa.co.za

**HOSCH Iberia S.R.L.U.**

Barcelona, Spain  
tel: +34 93 467 49 10  
e-mail: hosch@hosch.es  
web: www.hosch.es

**HOSCH Schweiz GmbH**

Rotkreuz, Switzerland  
tel: +41 41 790 25 33  
e-mail: info@hosch-schweiz.ch  
web: www.hosch-international.com

**HOSCH COMPANY, LLLP**

Pittsburgh, USA  
tel: +1 724 695 3002  
e-mail: hosch@hoschusa.com  
web: www.hoschusa.com

© HOSCH Fördertechnik Recklinghausen GmbH

No part of this publication may be reproduced, transmitted, transcribed, stored in any retrieval system or translated into any human or computer language by any means or in any form, without the prior written permission of HOSCH Fördertechnik Recklinghausen GmbH. Contravention of the owner's copyright may also reduce the ability of HOSCH Fördertechnik Recklinghausen GmbH to provide effective support for its equipment.

HOSCH Fördertechnik Recklinghausen GmbH reserves the right to make changes without notice to both this document and to its products described within this document. Nothing in this publication represents any contractual or other commitment on the part of HOSCH Fördertechnik Recklinghausen GmbH and should not be taken as such. All possible care has been taken in the preparation of this publication.

HD01®/02®/03®/04® is a trademark of HOSCH Fördertechnik GmbH, registered in Germany.